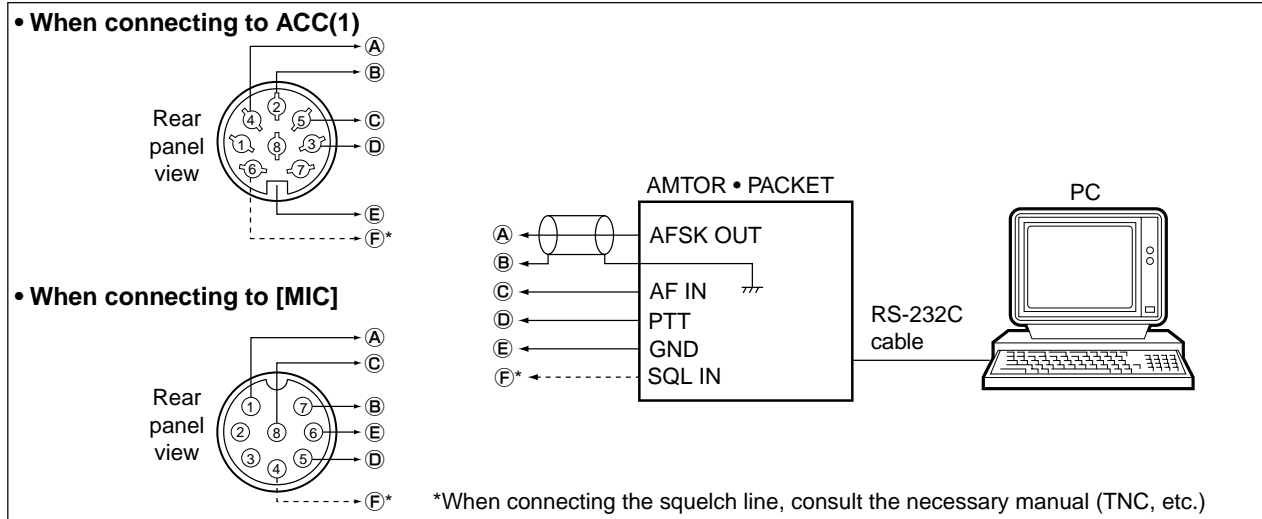


12-7 Data communications

The IC-746 can be connected to AMTOR/PACKET or AFSK teletype units via the rear panel ACC sockets or the front panel [MIC] connector. When using such units be sure to consult the appropriate manuals.



| ACC(1) | PIN NO. | NAME | DESCRIPTION | SPECIFICATIONS |
|------------------------|---------|--------|--|---|
| <p>Rear panel view</p> | 1 | RTTY | Controls RTTY keying. | "HIGH" level : More than 2.4 V "LOW" level : Less than 0.6 V Output current : Less than 2 mA |
| | 2 | GND | Connects to ground. | Connected in parallel with ACC(2) pin 2. |
| | 3 | HSEND | Input/output pin (HF/50 MHz only). Goes to ground when transmitting. When grounded, transmits. | Ground level : -0.5 V to 0.8 V Output current : Less than 20 mA Input current (Tx) : Less than 200 mA Connected in parallel with ACC(2) pin 3. |
| | 4 | MOD | Modular input Connects to a modulator | Input impedance : 10 kΩ Input level : Approx. 100 mV rms |
| | 5 | AF | AF detector output Fixed regardless of [AF] position. | Output impedance : 4.7 kΩ Output level : 100 to 300mV rms |
| | 6 | SQLS | Squelch output. Goes to ground when squelch opens | Squelch open : Less than 0.3 V/5 mA Squelch closed : More than 6.0 V/100 μA |
| | 7 | 13.8 V | 13.8 V output when power is ON. | Output current : Max. 1 A Connected in parallel with ACC(2) pin 7. |
| | 8 | ALC | ALC voltage input. | Control voltage : -4 to 0 V Input impedance : More than 10 kΩ Connected in parallel with ACC(2) pin 5. |

| ACC(2) | PIN NO. | NAME | DESCRIPTION | SPECIFICATIONS |
|------------------------|---------|--------|---|--|
| <p>Rear panel view</p> | 1 | 8 V | Regulated 8 V output. | Output voltage : 8 V ±0.3 V Output current : Less than 10 mA |
| | 2 | GND | | Same as ACC(1) pin 2. |
| | 3 | HSEND | | Same as ACC(1) pin 3. |
| | 4 | BAND | Band voltage output. (Varies with amateur band) | Output voltage : 0 to 8.0 V |
| | 5 | ALC | | Same as ACC(1) pin 8. |
| | 6 | VSEND | Input/output pin (144 MHz only) Goes to ground when transmitting. When grounded, transmits. | Ground level : -0.5 V to 0.8 V Output current : Less than 20 mA |
| | 7 | 13.8 V | | Same as ACC(1) pin 7. |